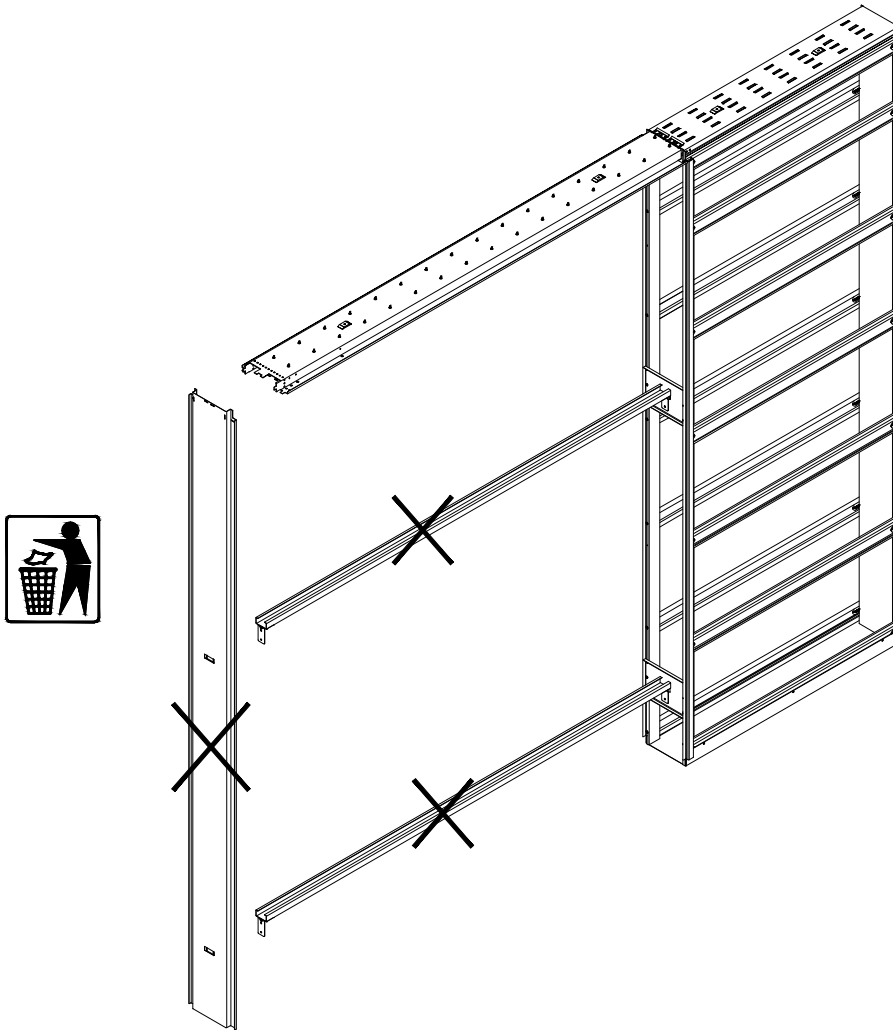


ASSEMBLY DIAGRAM FOR DOUBLE TELESCOPIC DOOR

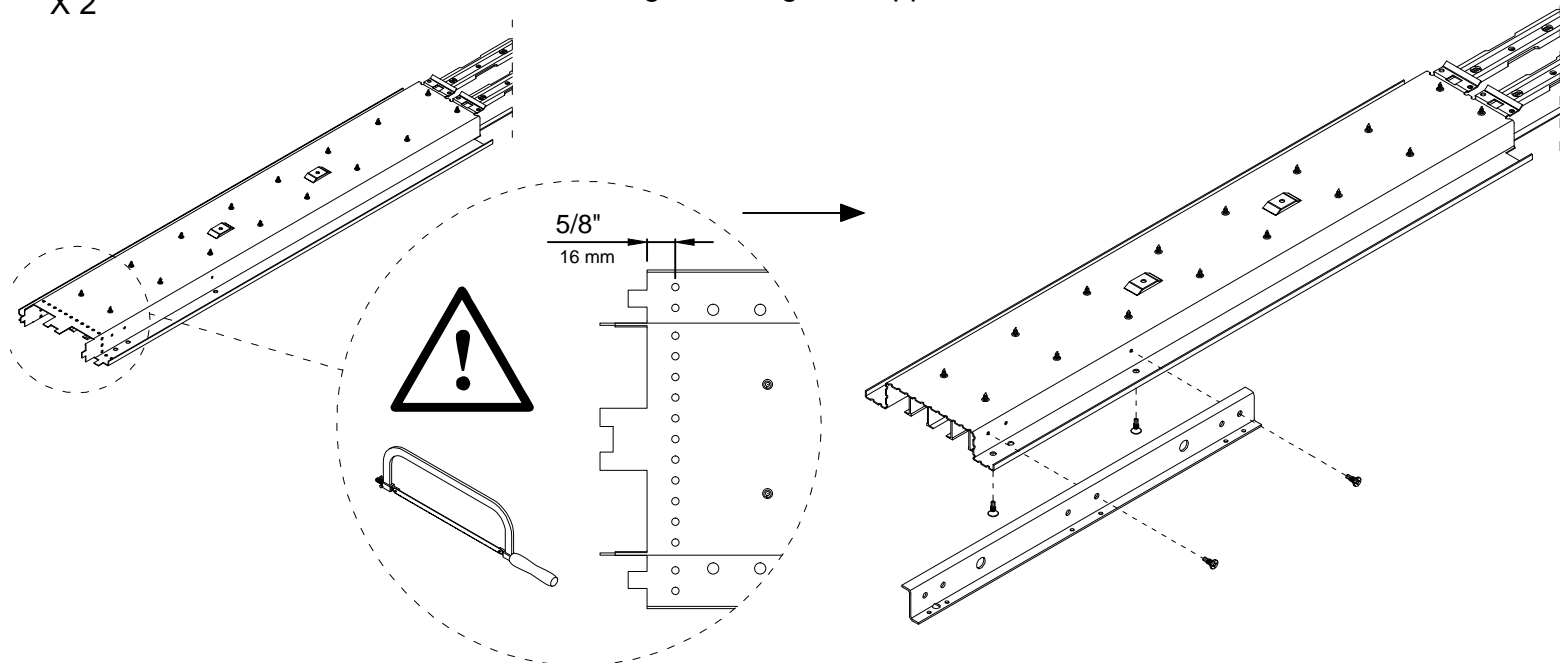
1 When creating a Double Telescopic Pocket Door, these parts will need to be discarded.



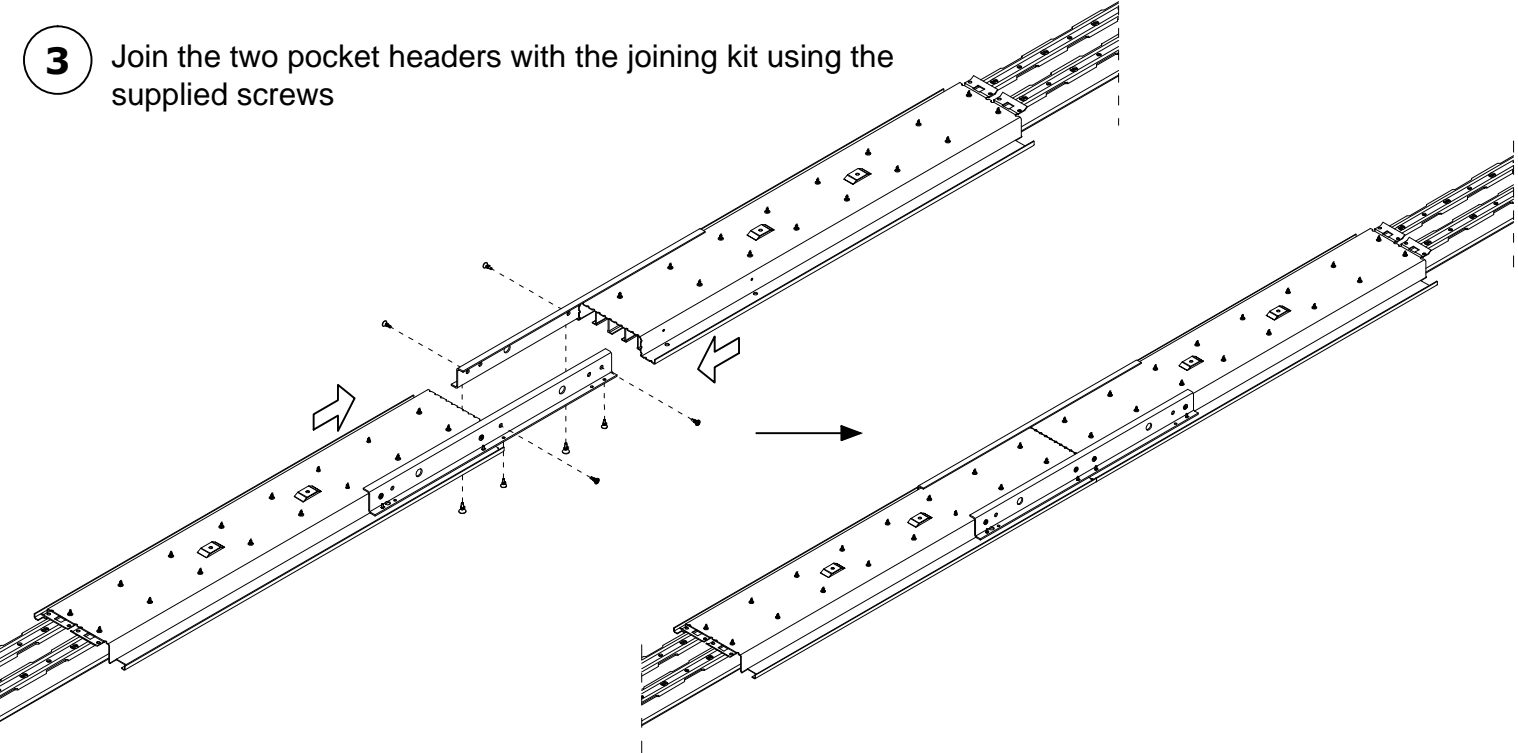
OPC10



2 Remove the bendable tabs on each side of the Single Telescopic pocket frame X 2 to make a double as shown in the diagram using the supplied screws.



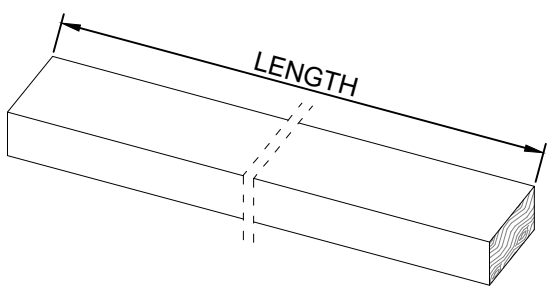
3 Join the two pocket headers with the joining kit using the supplied screws



4 It is suggested to make sure the frames are square when installing, and that a straight spacer (either wood or a level, if long enough) is used to accomplish this, as per Diagram 5
X 2

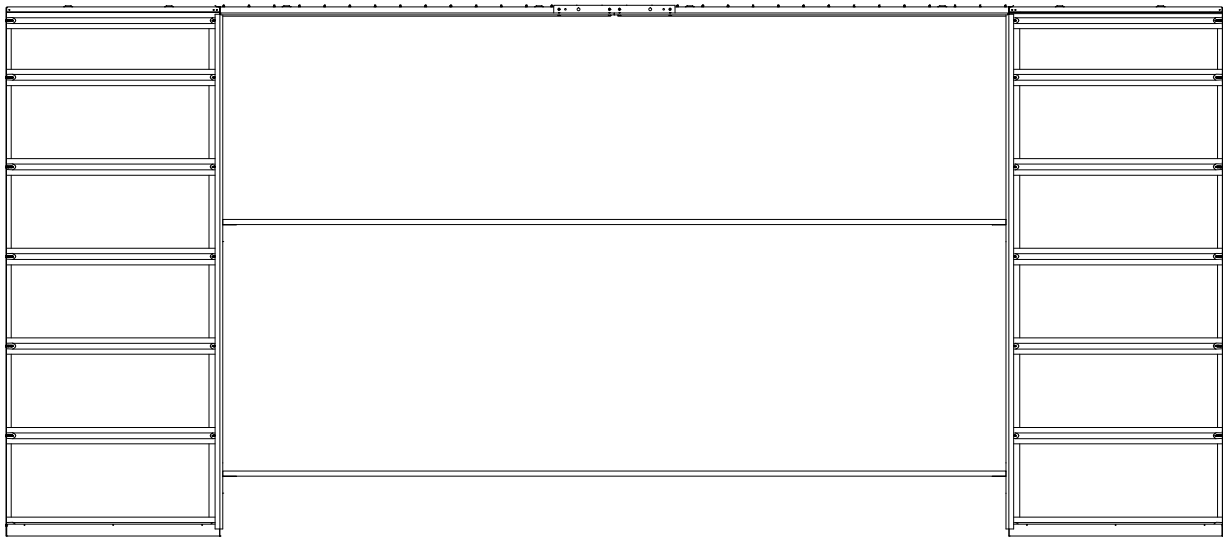


(EN) NOT SUPPLIED
(ES) PIEZA NO SUMINISTRADA



DOOR PANELS DIMENSIONS	SUGGESTED SPACER LENGTH
24" + 24" + 24" + 24"	90-5/8"
26" + 26" + 26" + 26"	98-7/8"
28" + 28" + 28" + 28"	106-7/8"
30" + 30" + 30" + 30"	114-7/8"
32" + 32" + 32" + 32"	122-7/8"
34" + 34" + 34" + 34"	131-1/8"
36" + 36" + 36" + 36"	139"
40" + 40" + 40" + 40"	155-1/8"
42" + 42" + 42" + 42"	163-1/4"

5



www.eclisse.us

